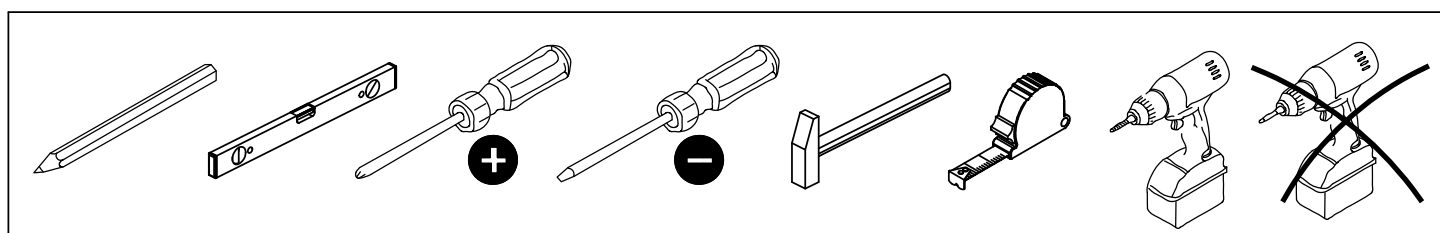
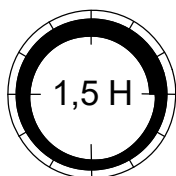
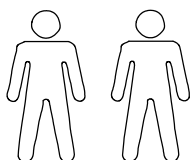
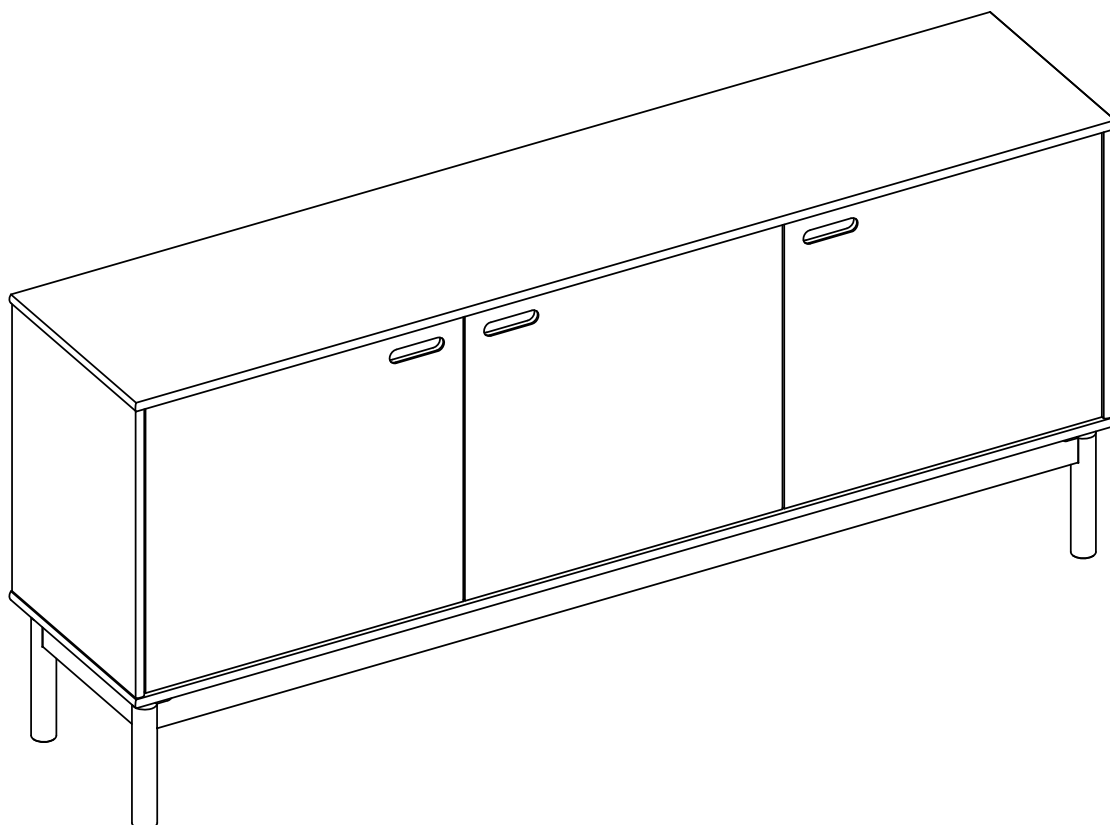
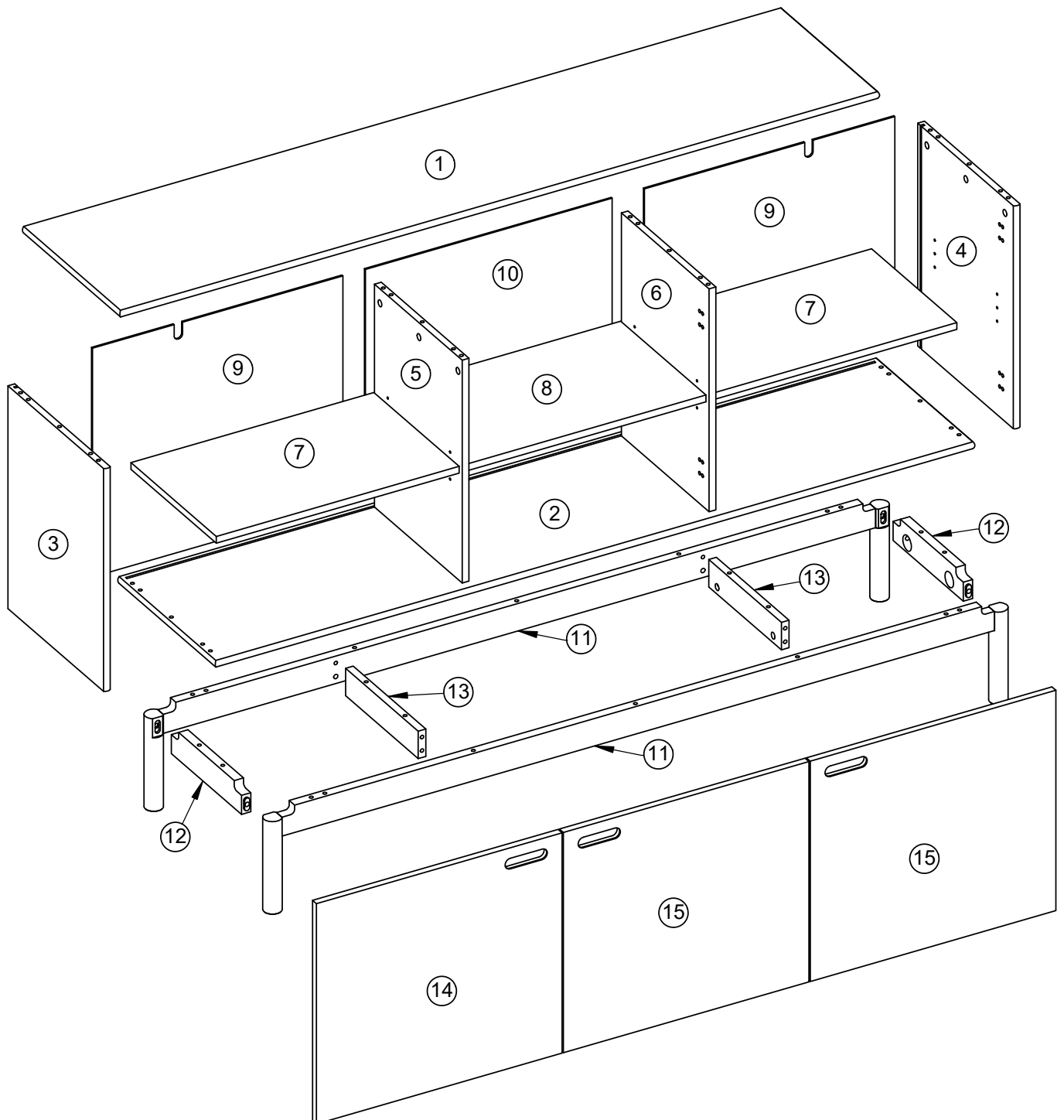


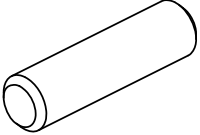
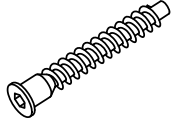

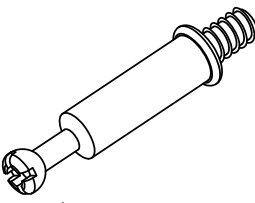

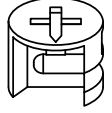
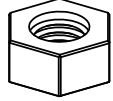
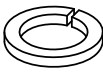
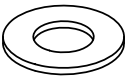
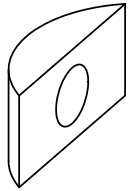
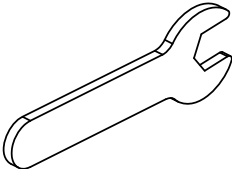
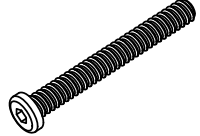
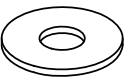
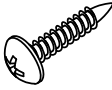
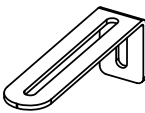

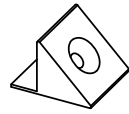
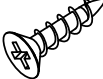

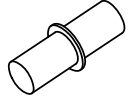
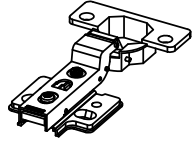
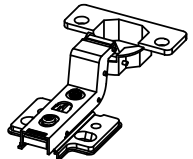
TUCSON



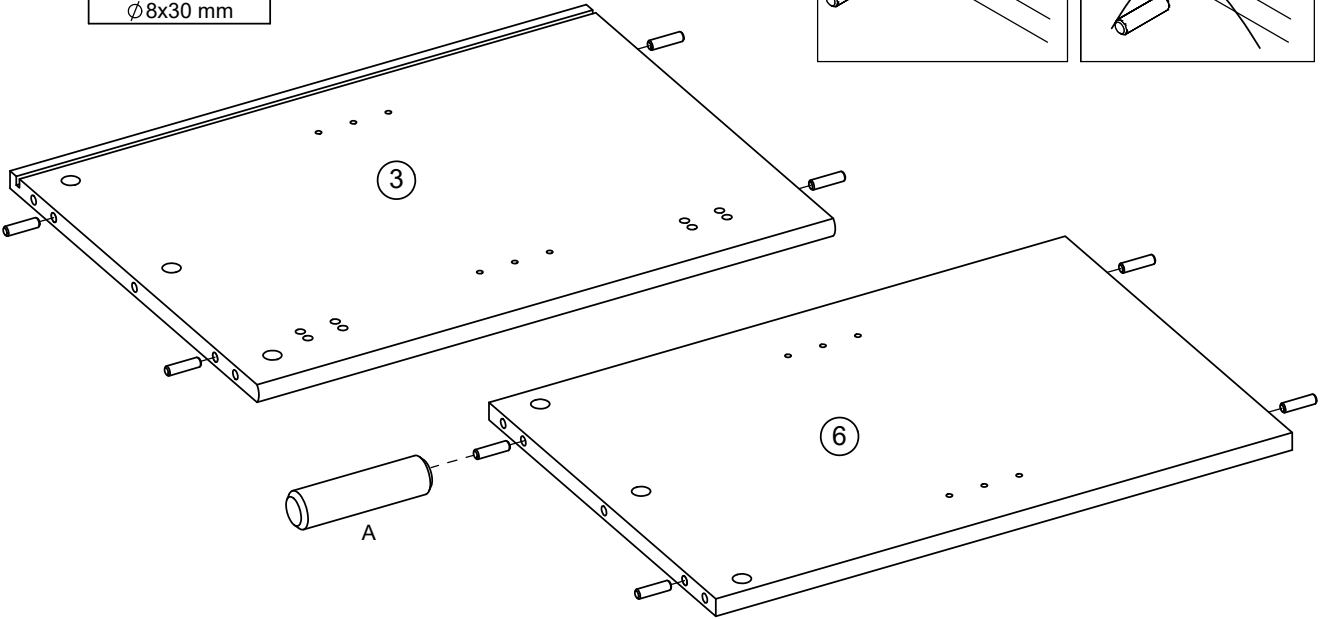
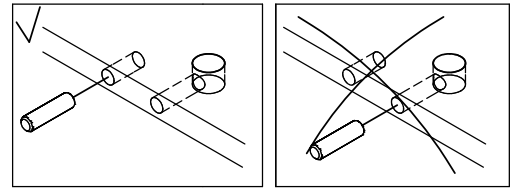
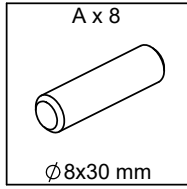
			✓
①	1	1800x400x16	
②	1	1800x400x16	
③	1	528x394.5x16	
④	1	528x394.5x16	
⑤	1	528x360x16	
⑥	1	528x360x16	
⑦	2	575.5x351x16	
⑧	1	566x351x16	

			✓
⑨	2	540x592x4	
⑩	1	540x584x4	
⑪	2	1760x240x40	
⑫	2	296x65x22	
⑬	2	298x65x22	
⑭	1	522x582x16	
⑮	2	522x582x16	

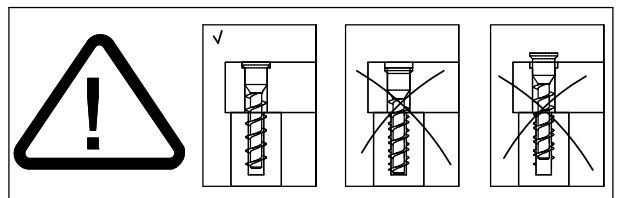
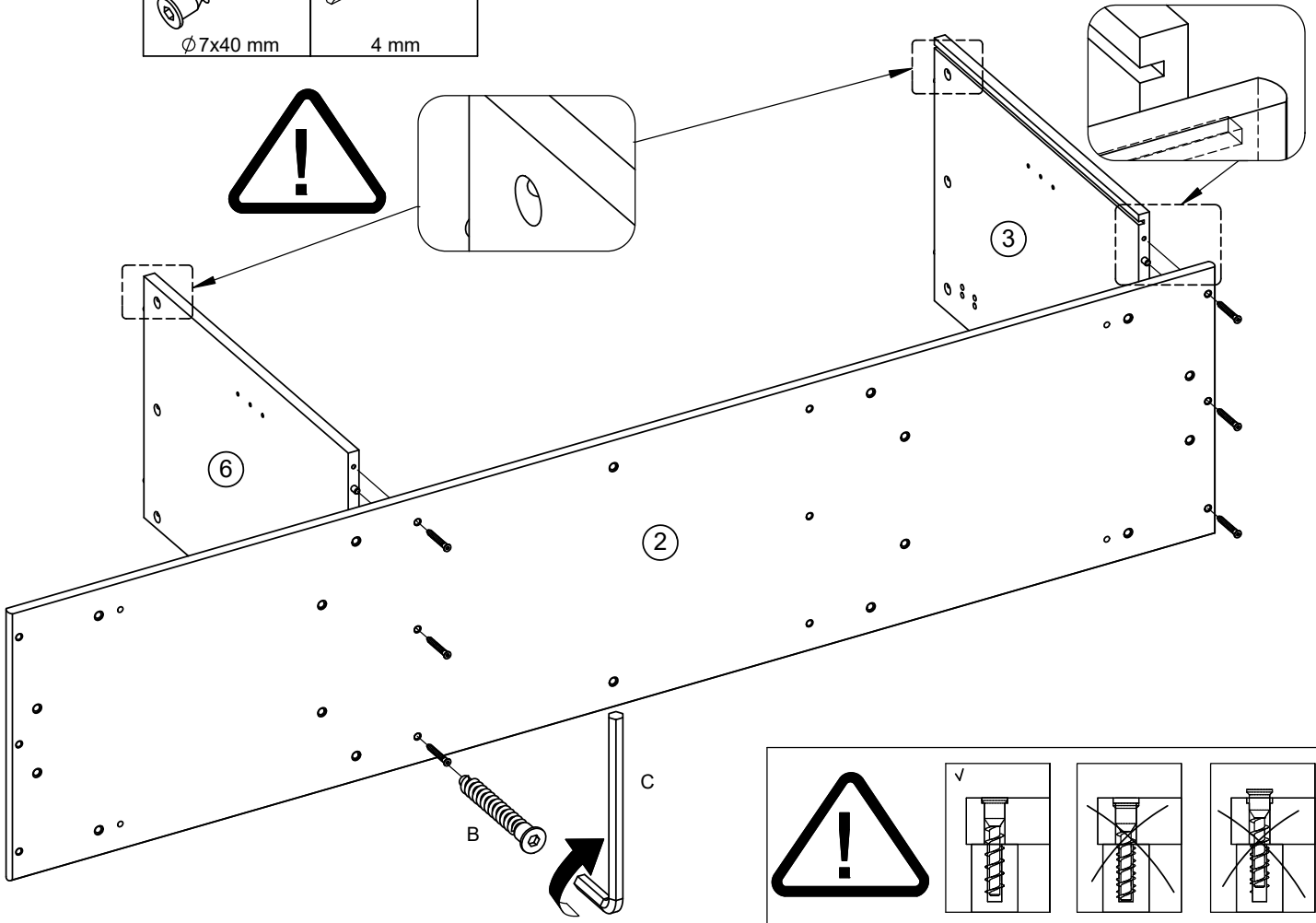
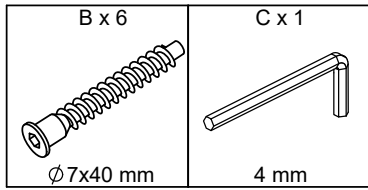


<p>A x 24</p>  <p>∅ 8x30 mm</p>	<p>B x 12</p>  <p>∅ 7x40 mm</p>	<p>C x 1</p>  <p>4 mm</p>	<p>D x 16</p>  <p>∅ 6x34 mm</p>	<p>E x 4</p>  <p>M8 x 80mm</p>
<p>F x 16</p>  <p>∅ 15x11 mm</p>	<p>G x 4</p>  <p>M8/12 mm</p>	<p>H x 4</p>  <p>∅ 8 mm</p>	<p>J x 4</p>  <p>∅ 8/∅ 14 mm</p>	<p>K x 4</p>  <p>27x14x6.5 mm</p>
<p>L x 1</p>  <p>12 mm</p>	<p>M x 18</p>  <p>M6x70 mm</p>	<p>N x 18</p>  <p>∅ 6/∅ 14 mm</p>	<p>P x 8</p>  <p>∅ 4x15 mm</p>	<p>Q x 2</p>  <p>75x25x15 mm</p>
<p>R x 6</p>  <p>∅ 4x12 mm</p>	<p>S x 10</p>  <p>15x15 mm</p>	<p>T x 46</p>  <p>∅ 3.5x15 mm</p>	<p>U x 4</p>  <p>20x14x3 mm</p>	<p>V x 12</p>  <p>∅ 5x16 mm</p>
<p>W x 2</p>  <p>∅ 35,FK 9</p>	<p>X x 4</p>  <p>∅ 35,FK 17</p>			

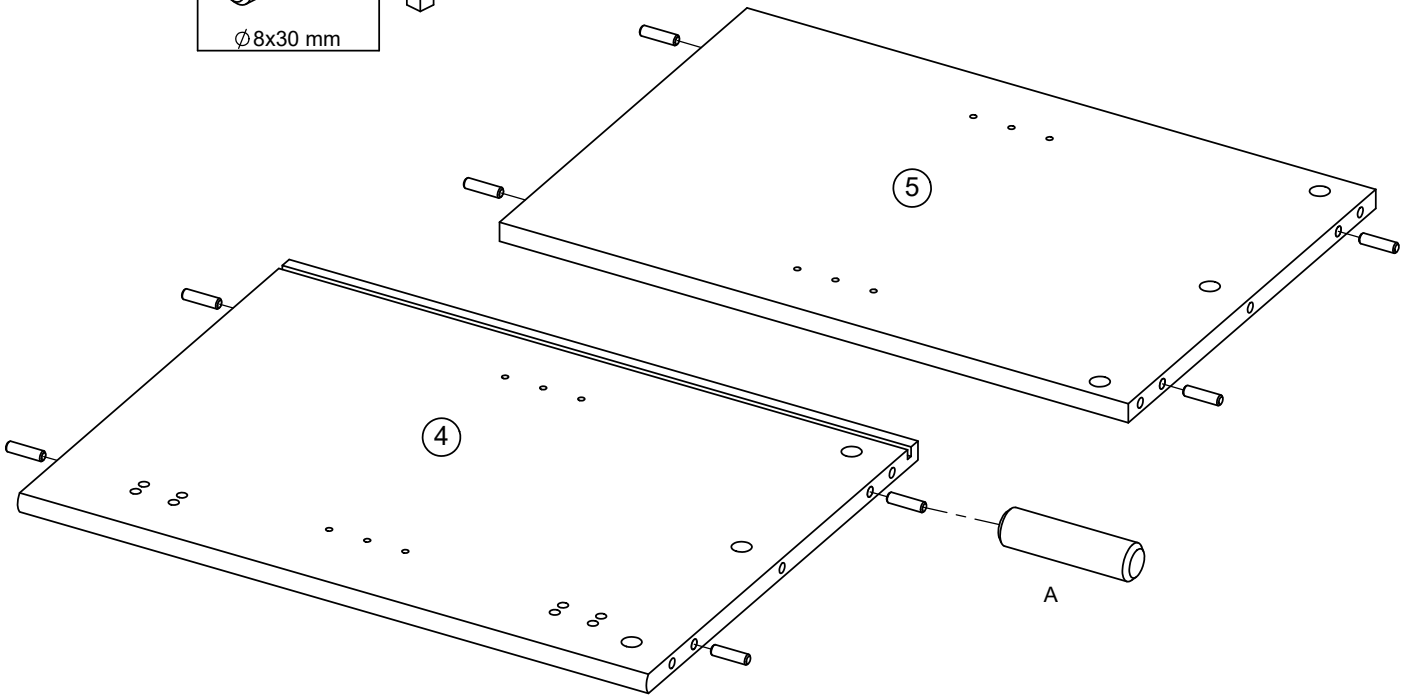
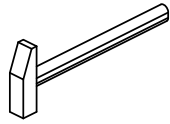
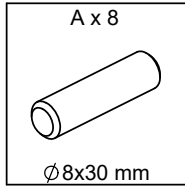
1



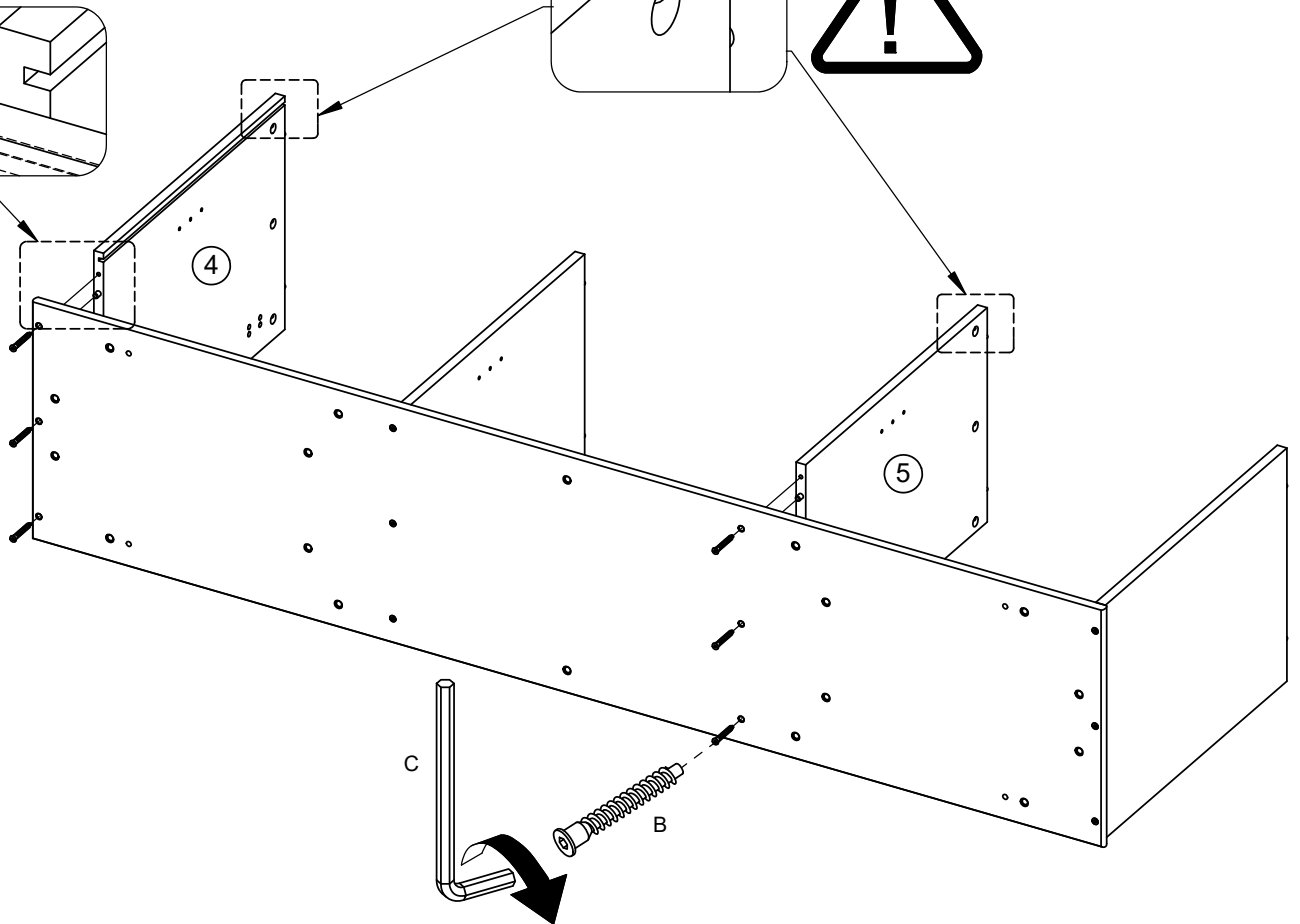
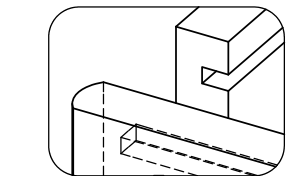
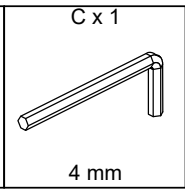
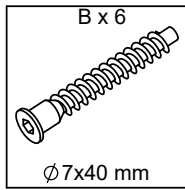
2



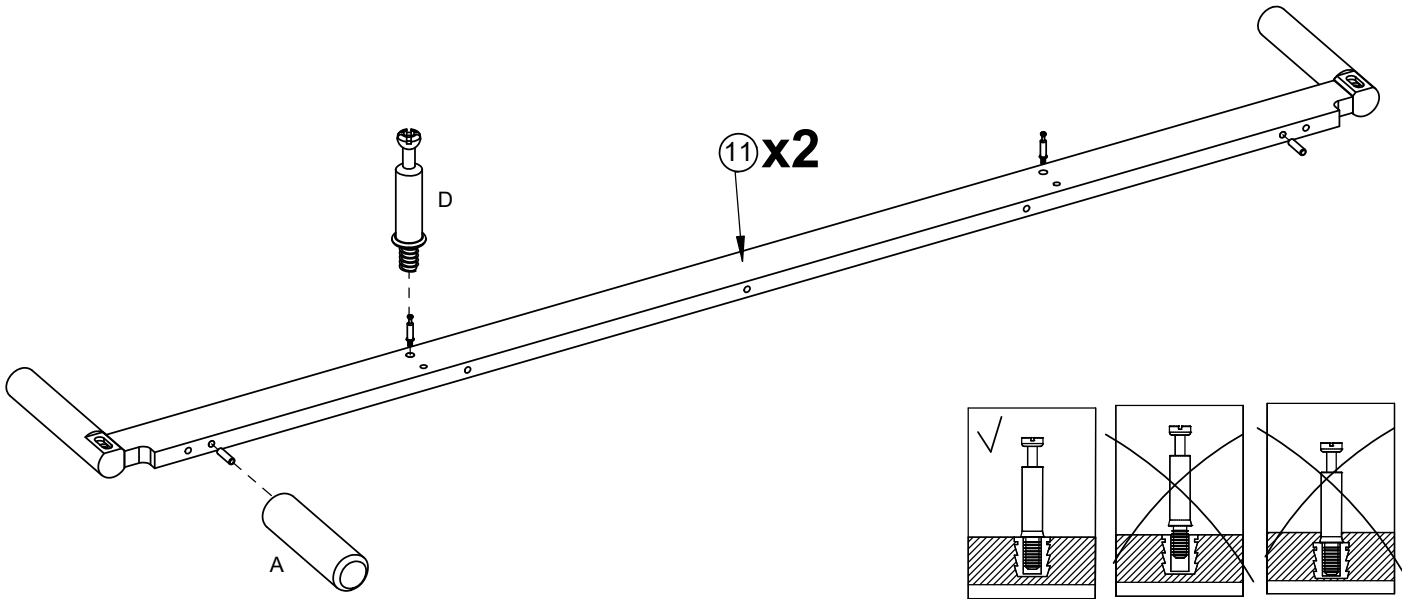
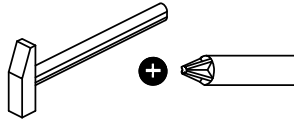
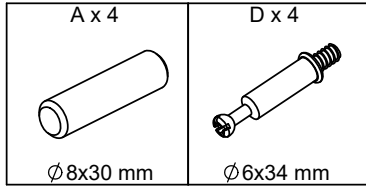
3



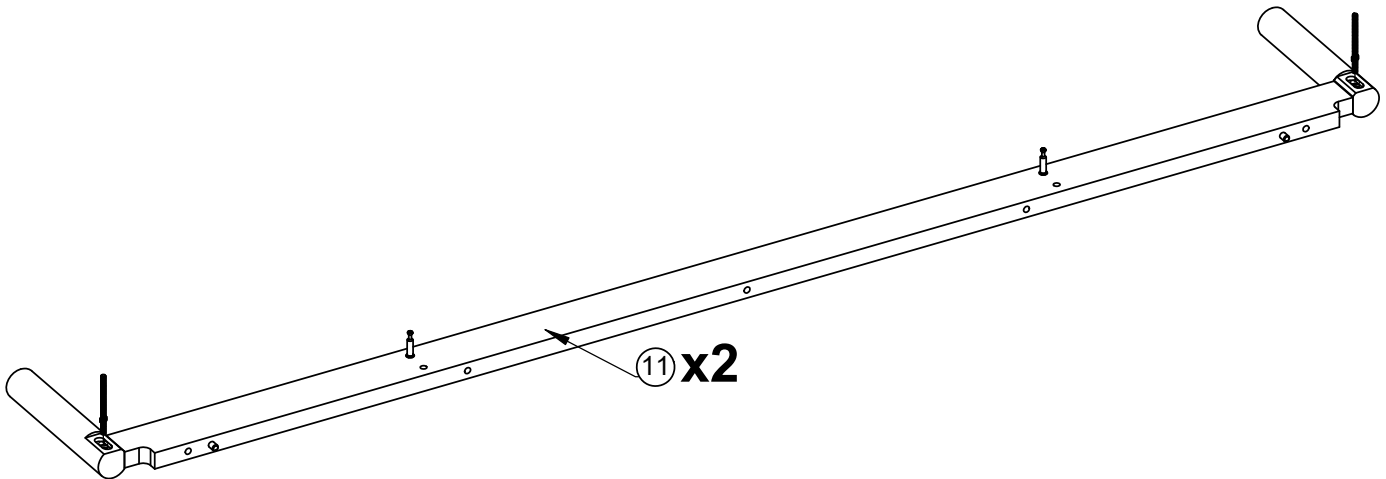
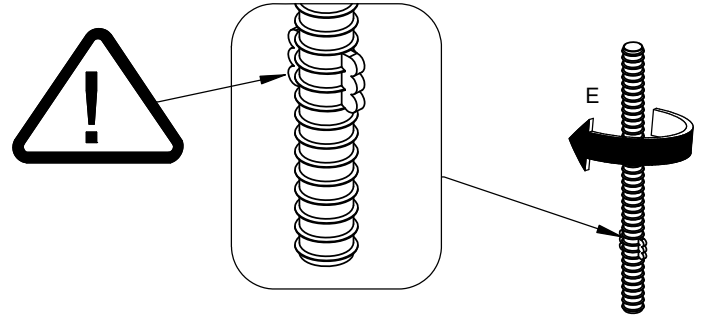
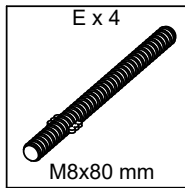
4



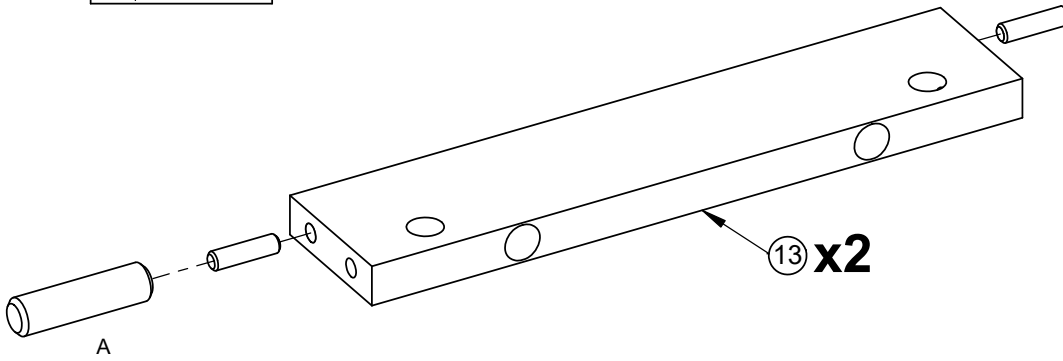
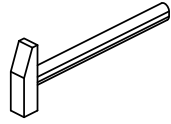
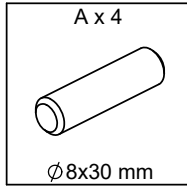
5



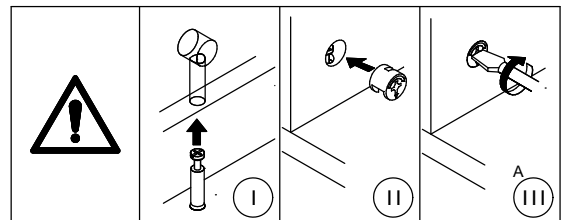
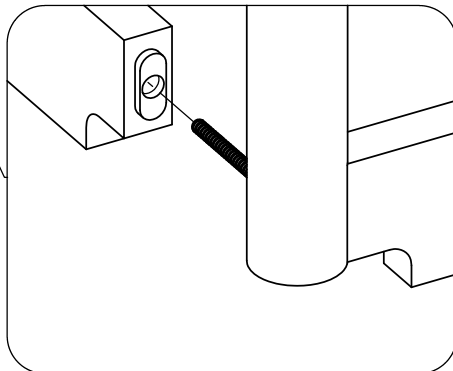
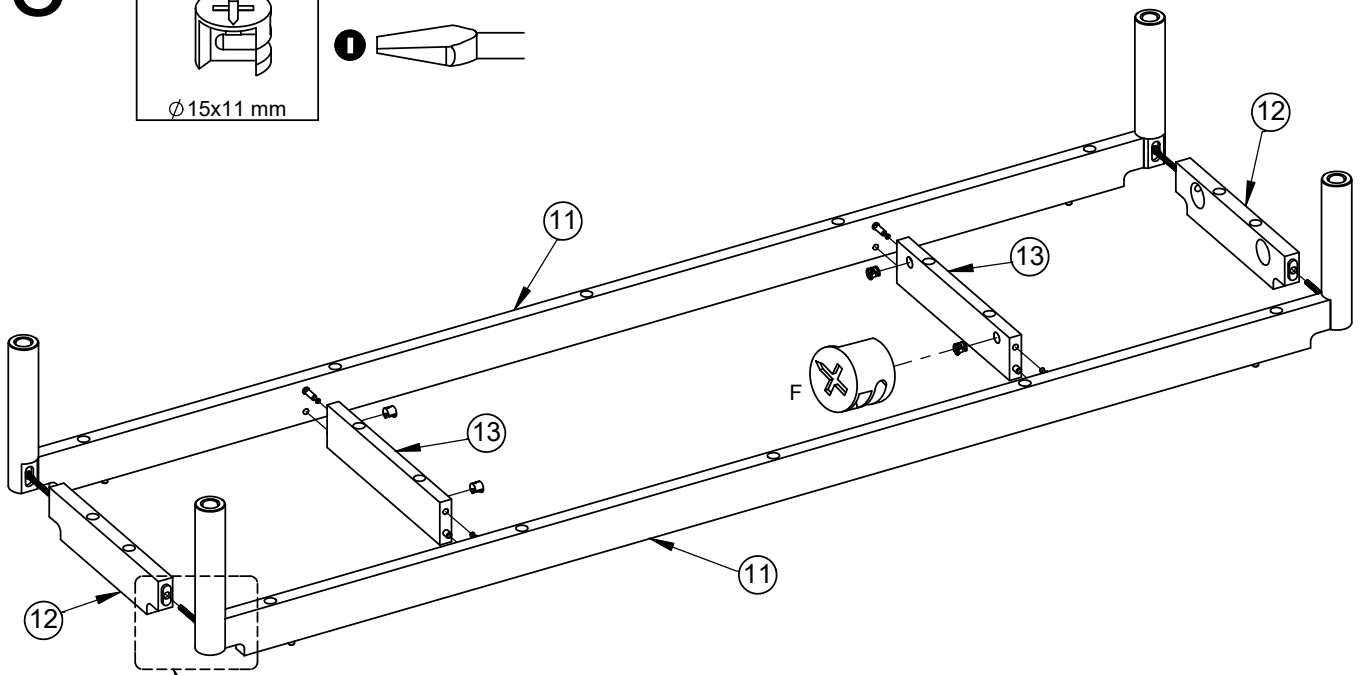
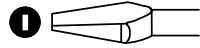
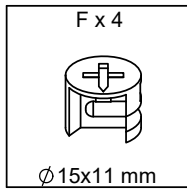
6



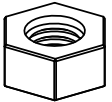
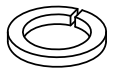
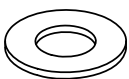
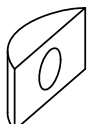

7

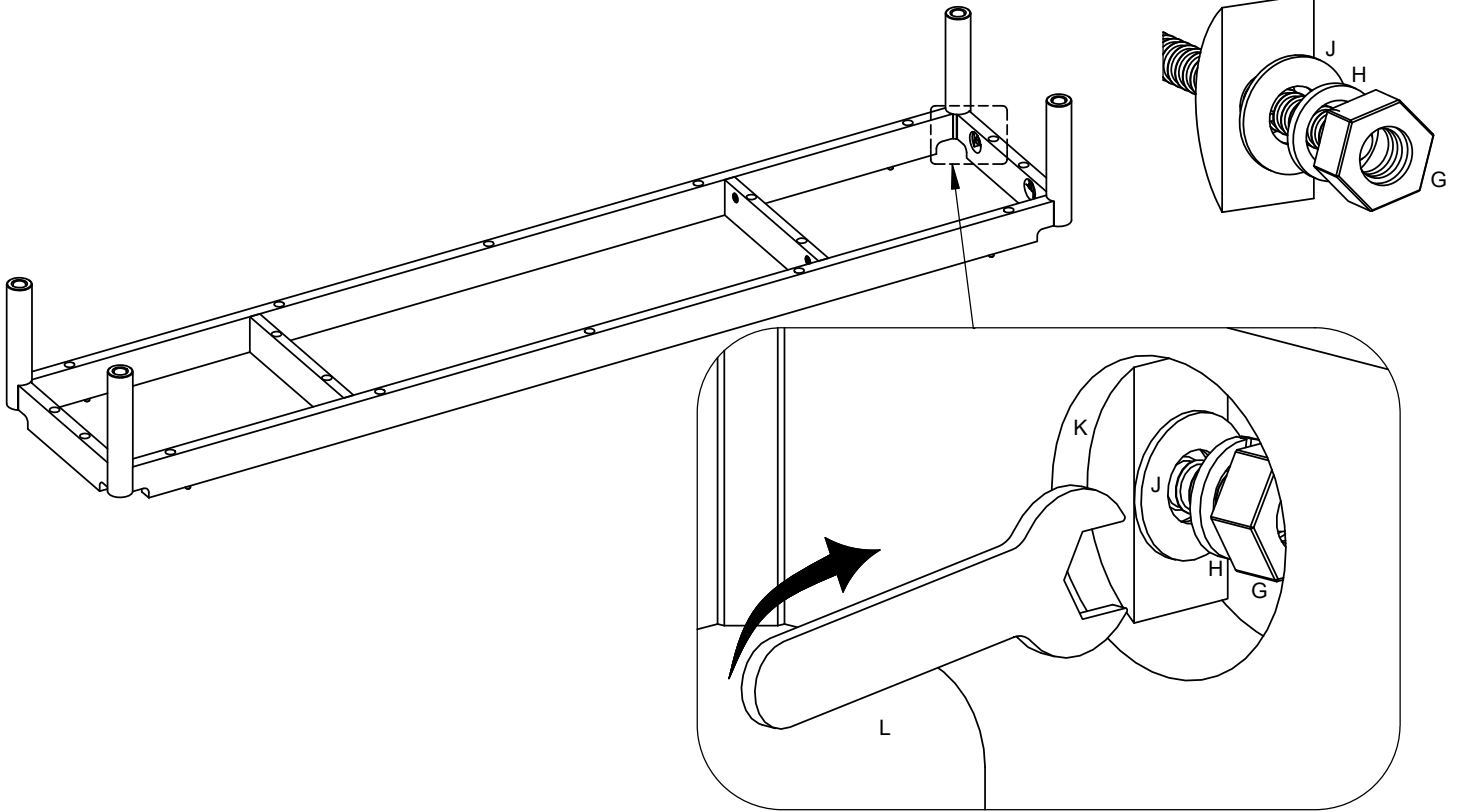


8

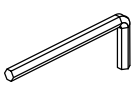




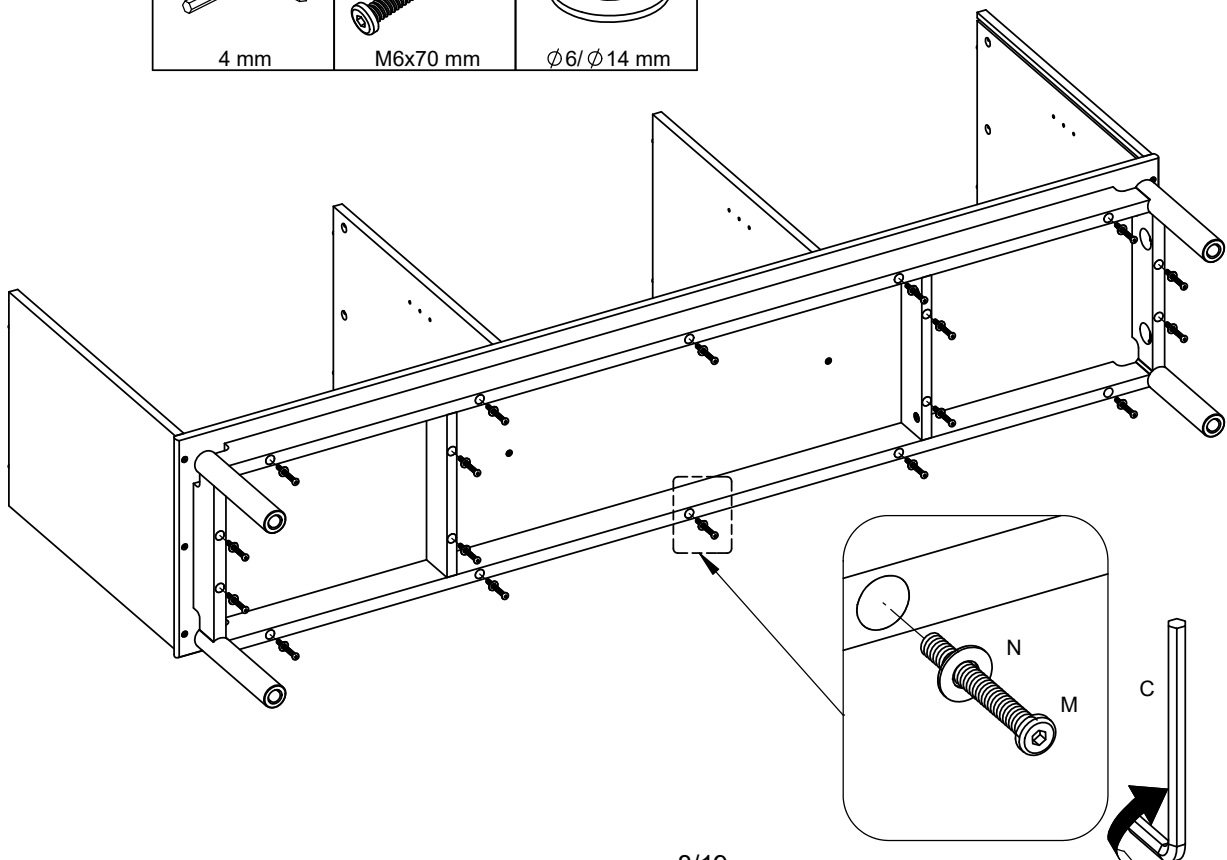
9

G x 4  M8/12 mm	H x 4  Ø 8 mm	J x 4  Ø 8/ Ø 14 mm	K x 4  27x14x6.5 mm	L x 1  12 mm
--	--	--	--	--

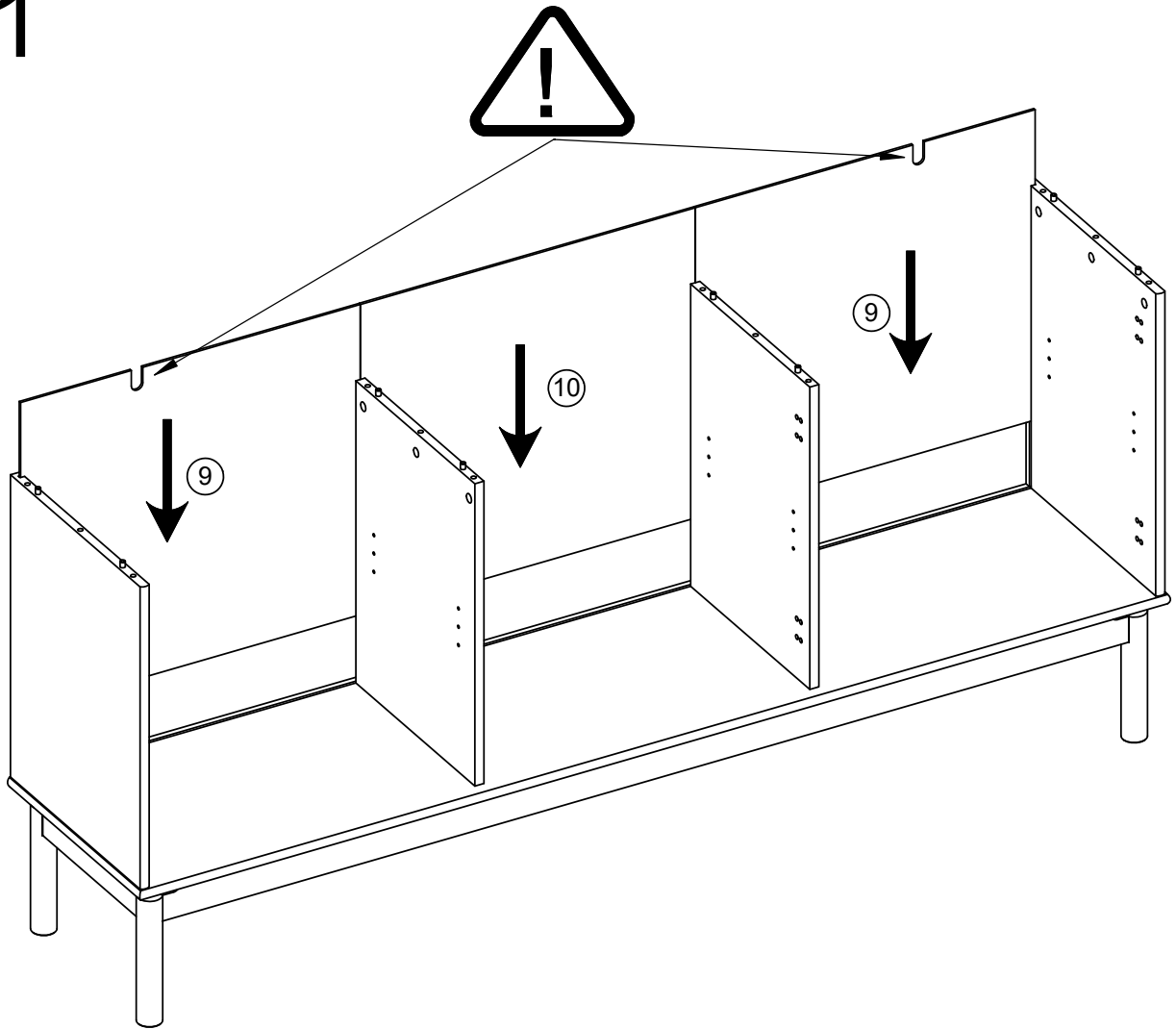


10

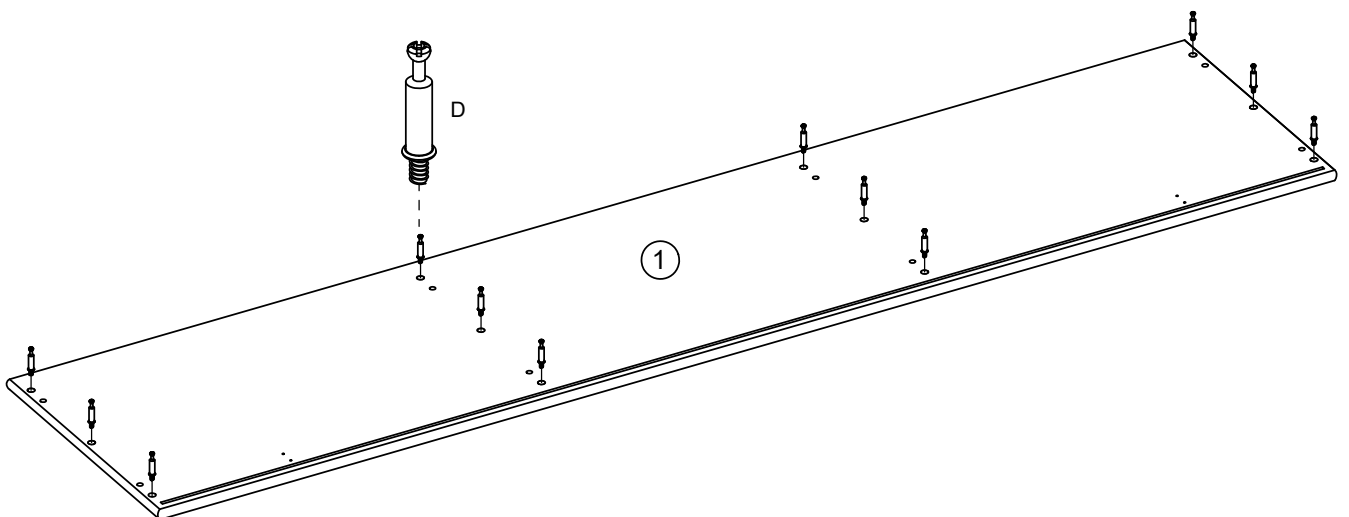
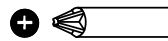
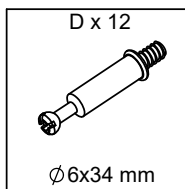
C x 1  4 mm	M x 18  M6x70 mm	N x 18  Ø 6/ Ø 14 mm
--	---	---



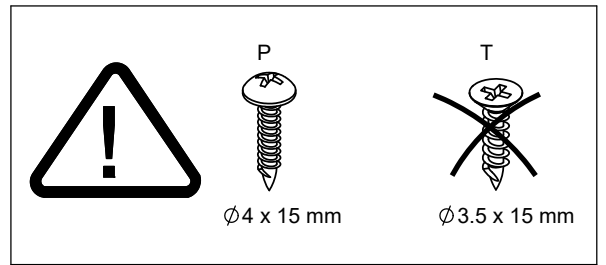
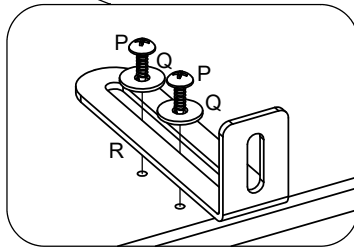
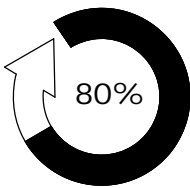
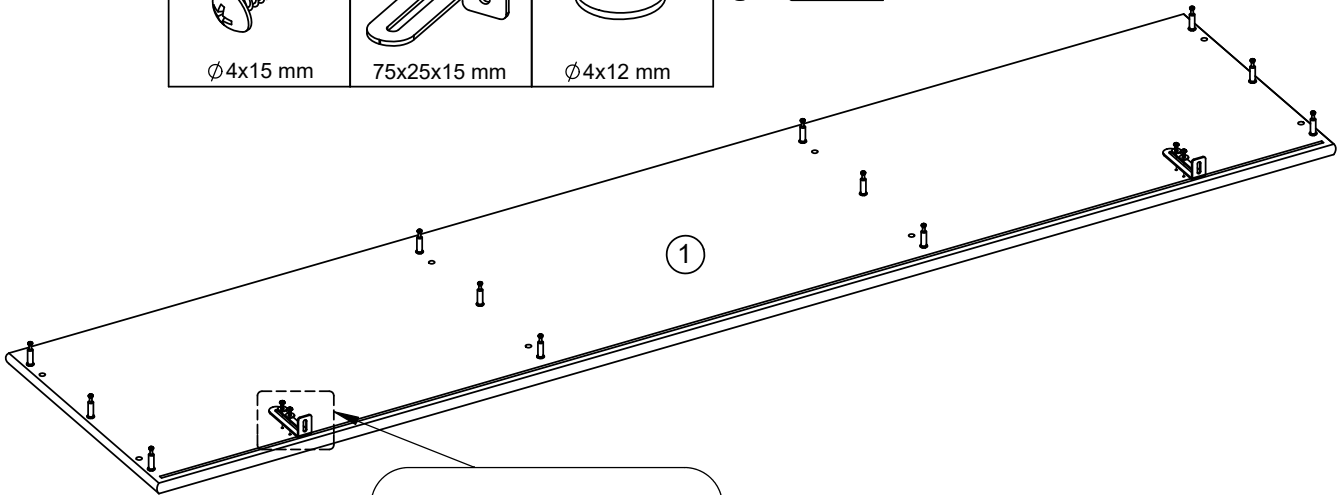
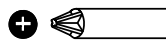
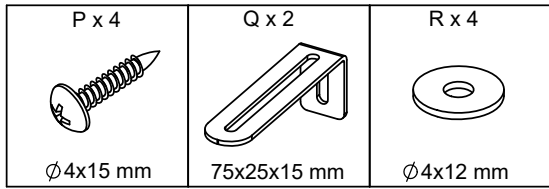
11



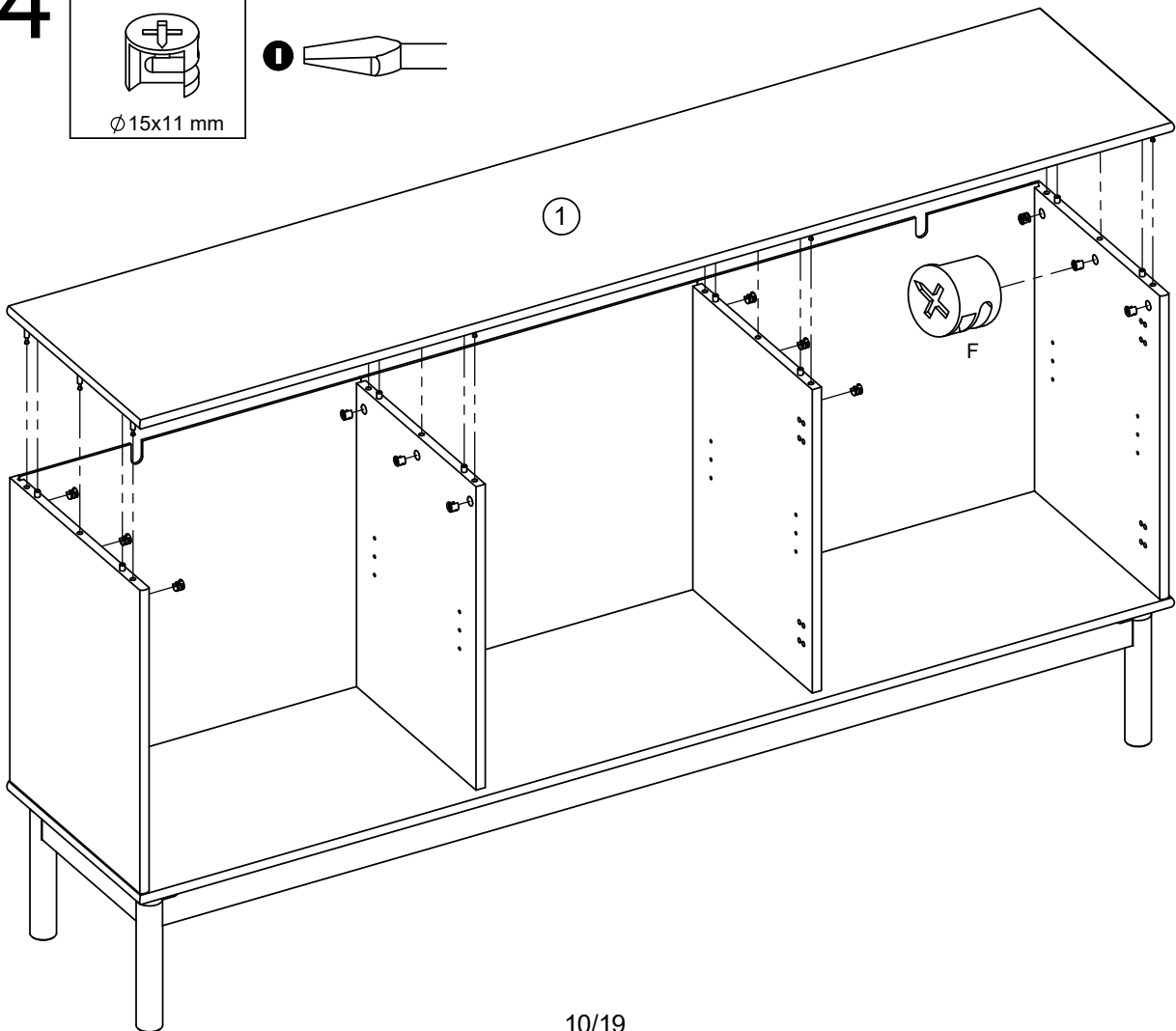
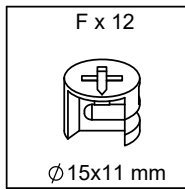
12



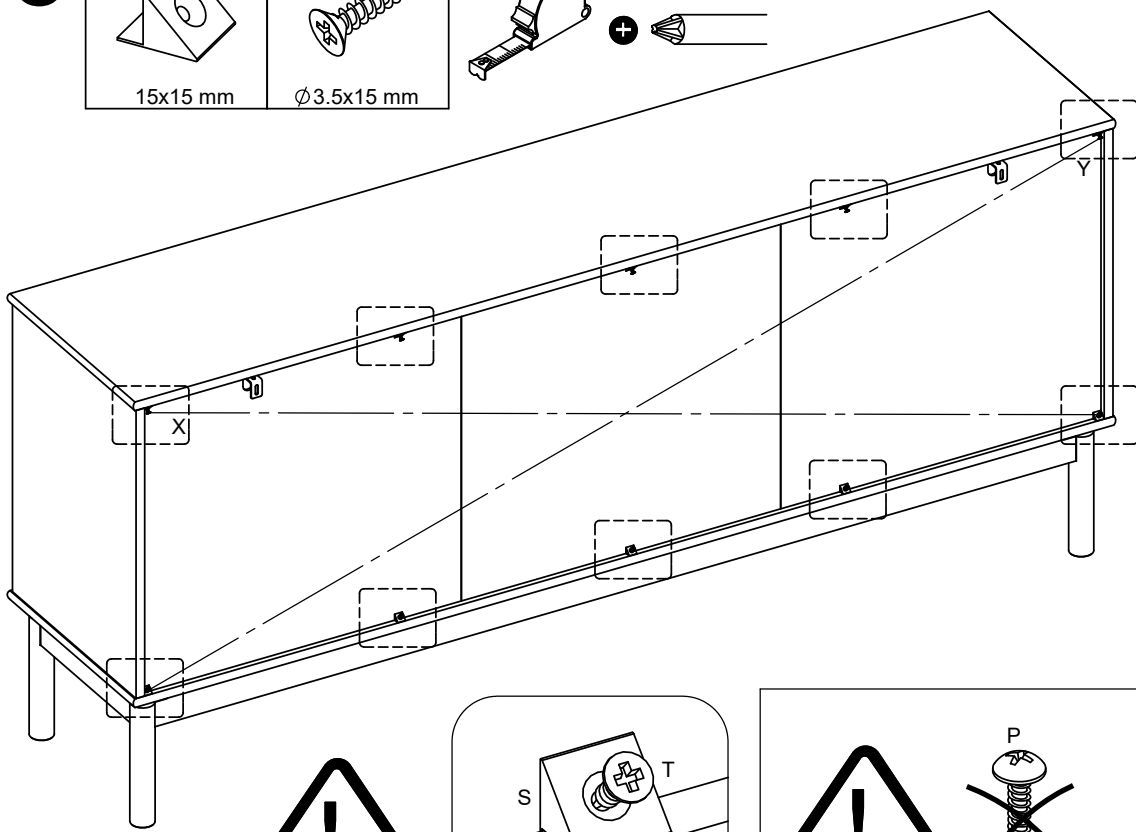
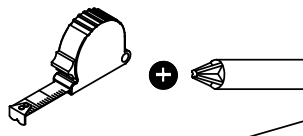
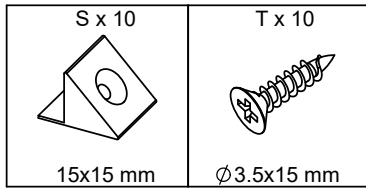
13



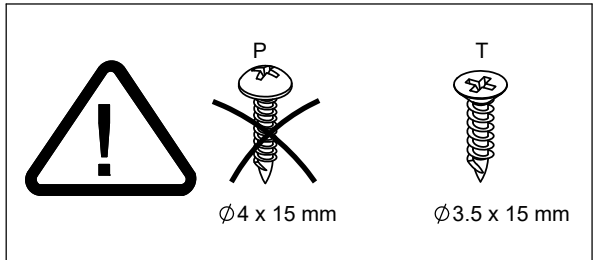
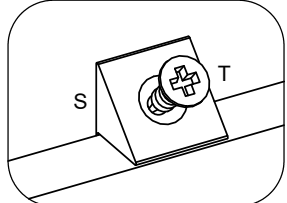
14



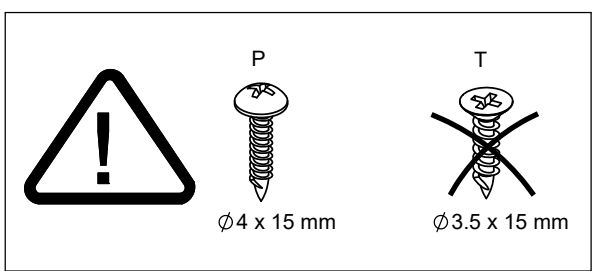
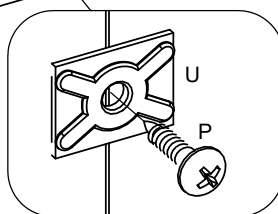
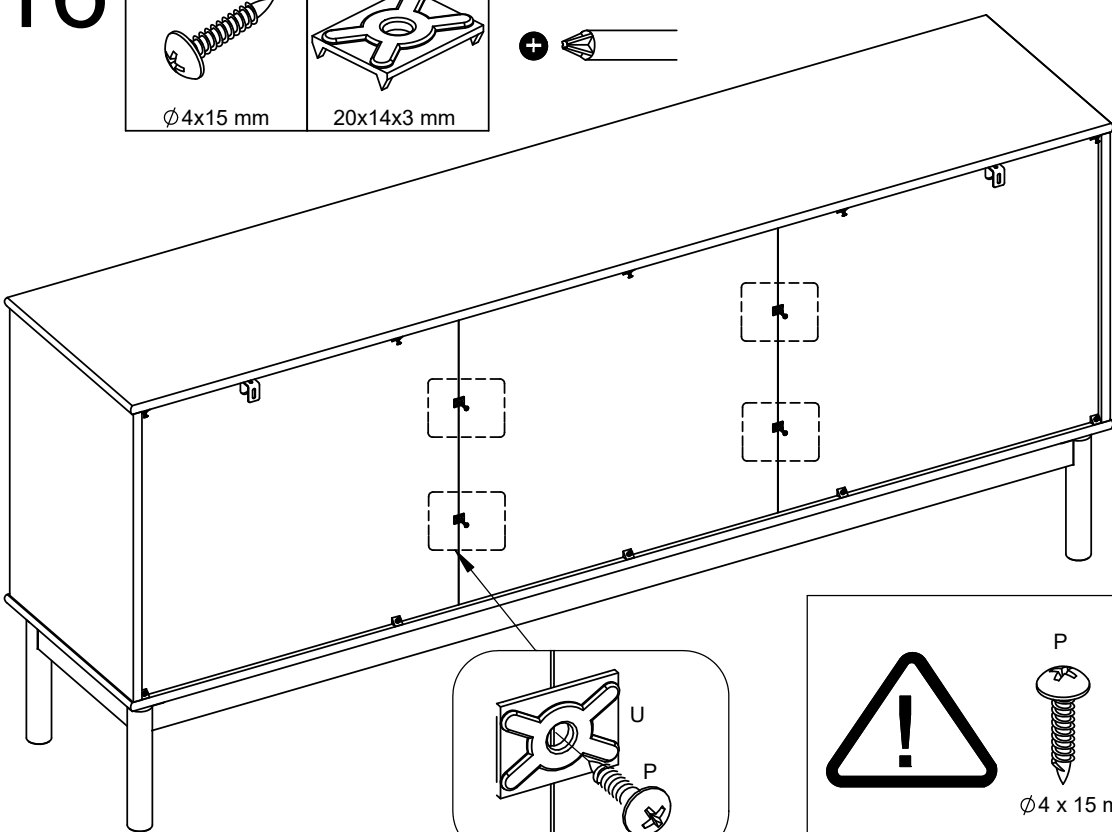
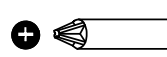
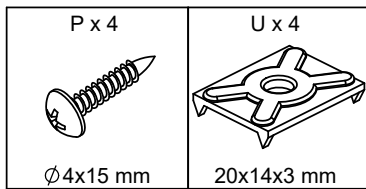
15



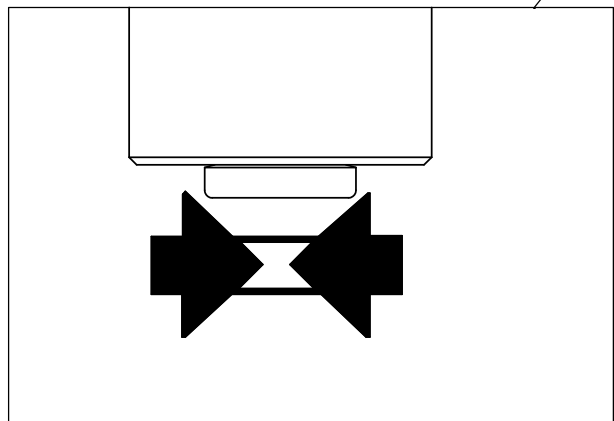
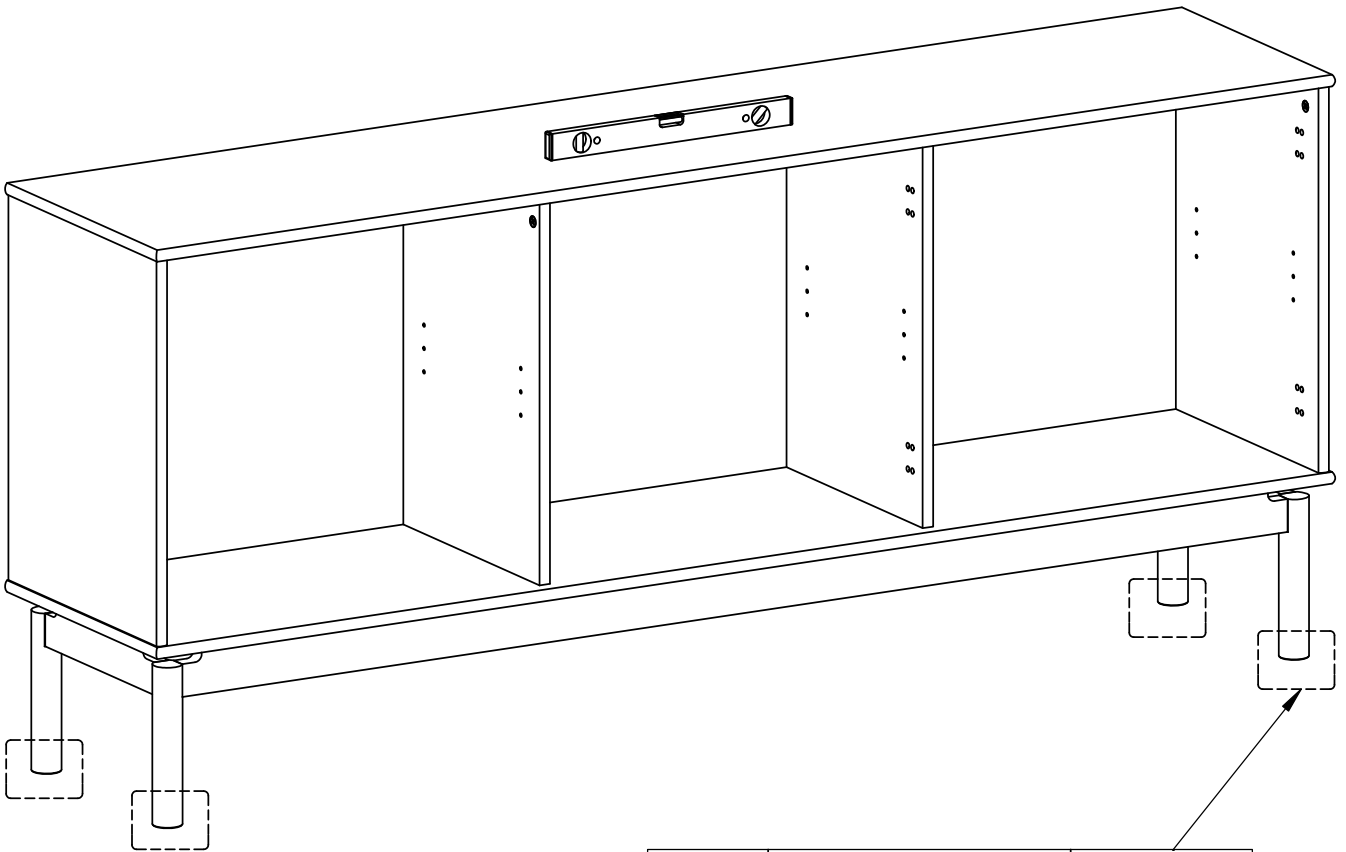
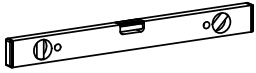
X=Y



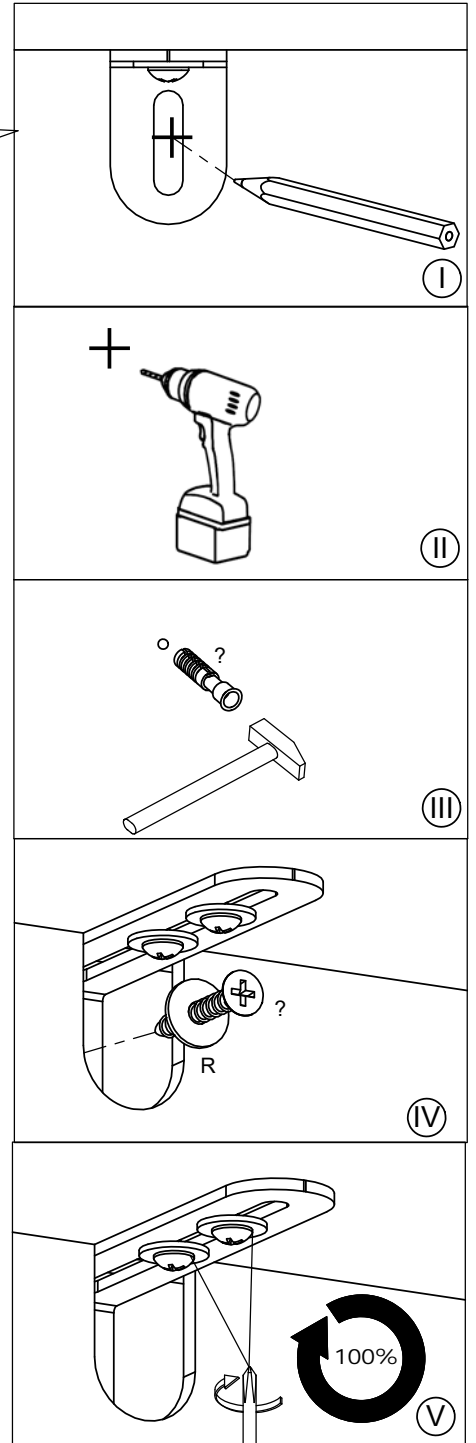
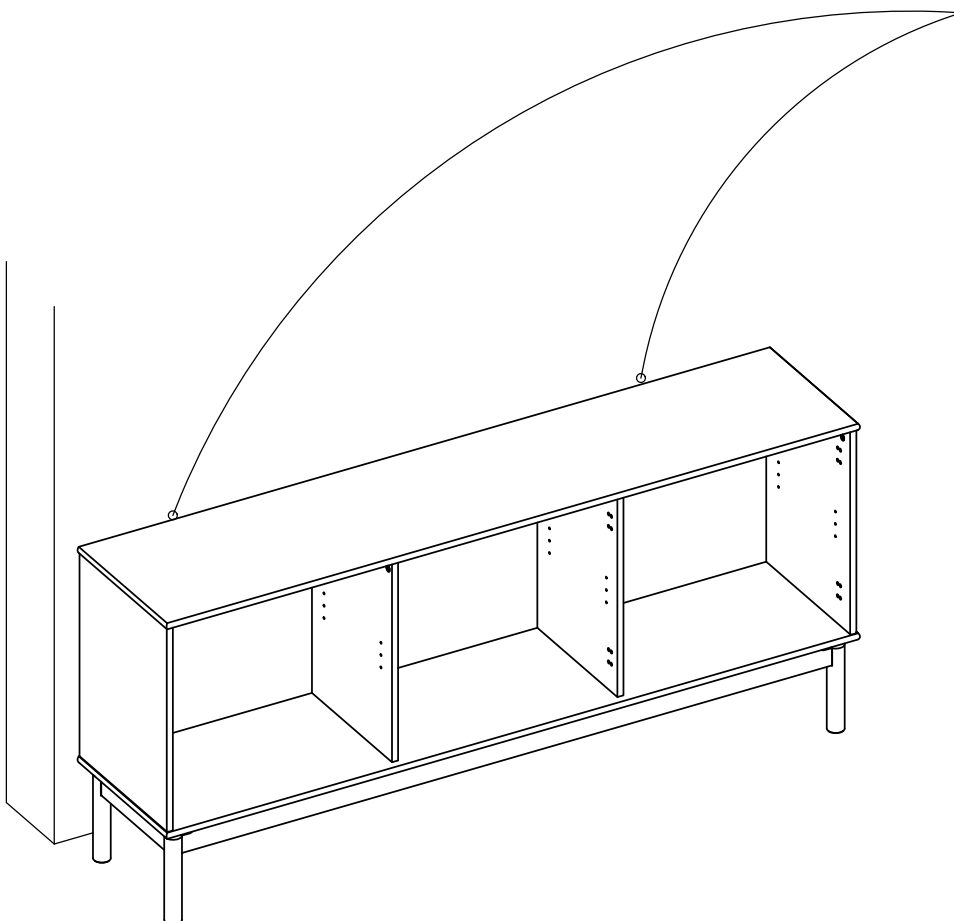
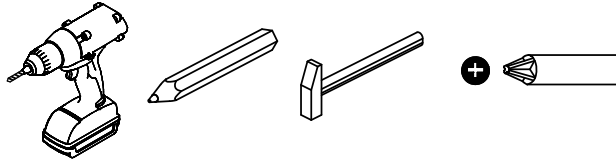
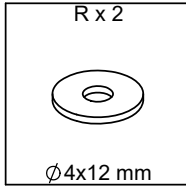
16



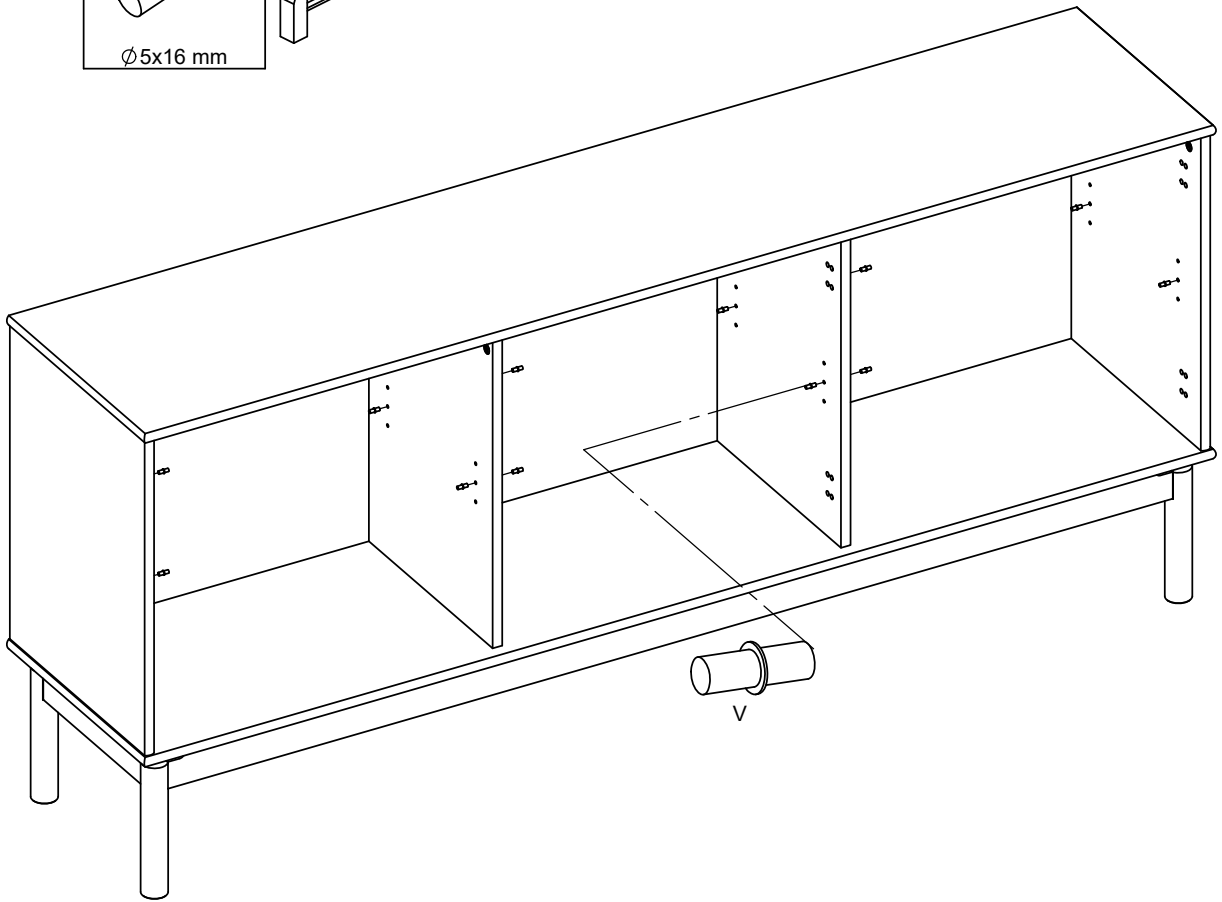
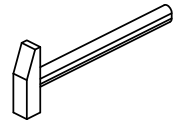
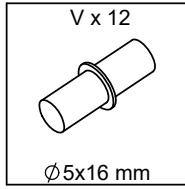
17



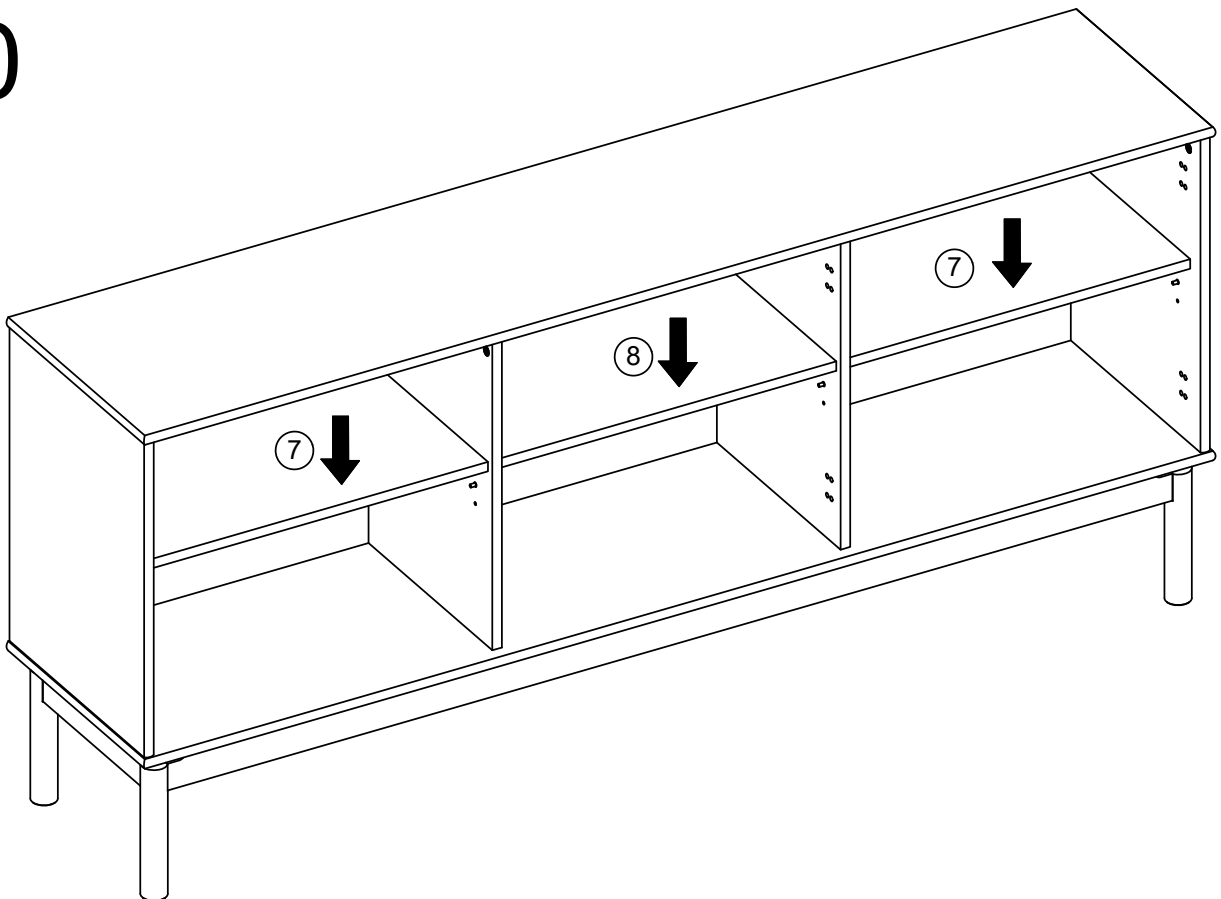
18



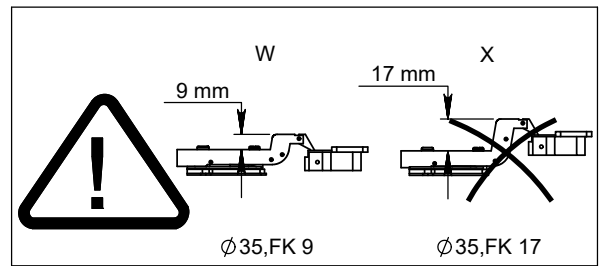
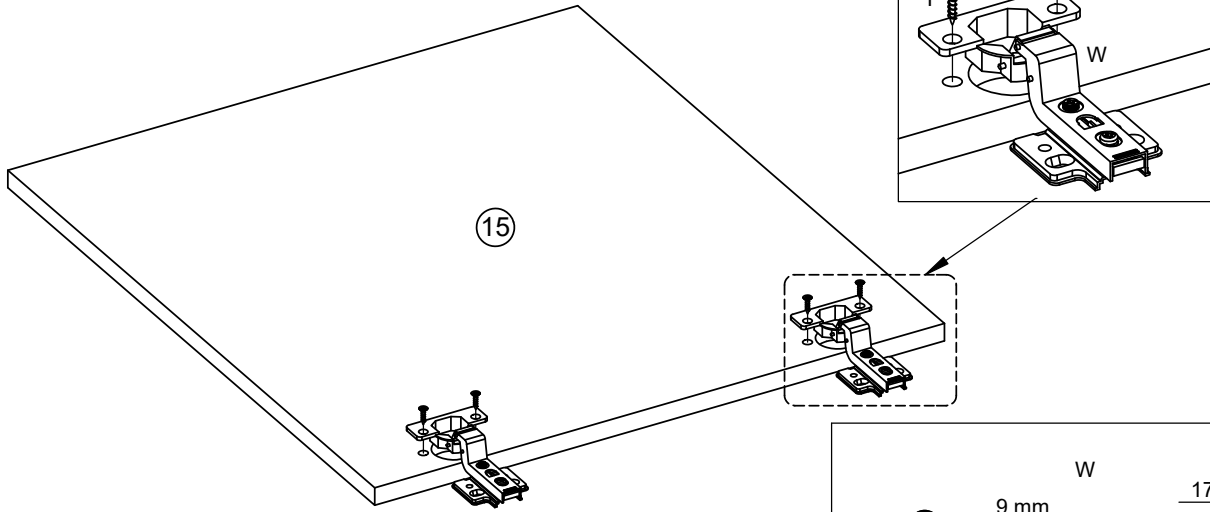
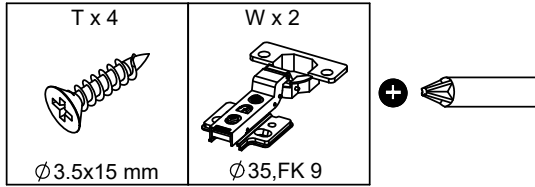
19



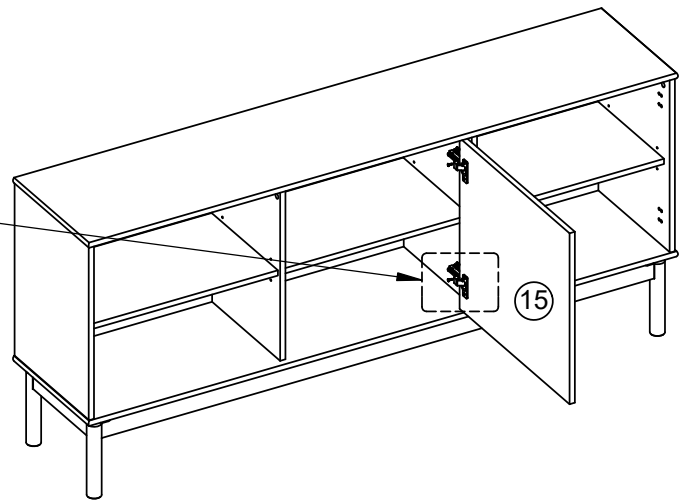
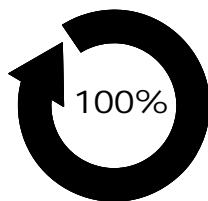
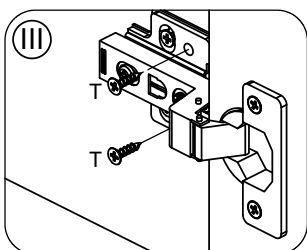
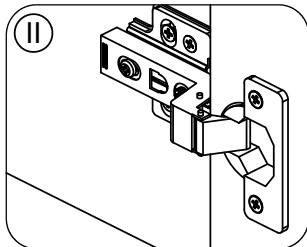
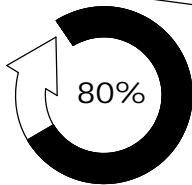
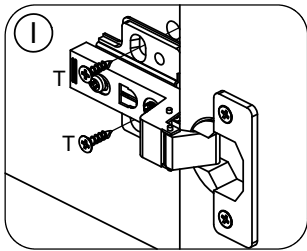
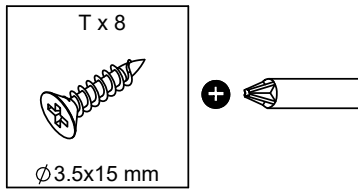
20



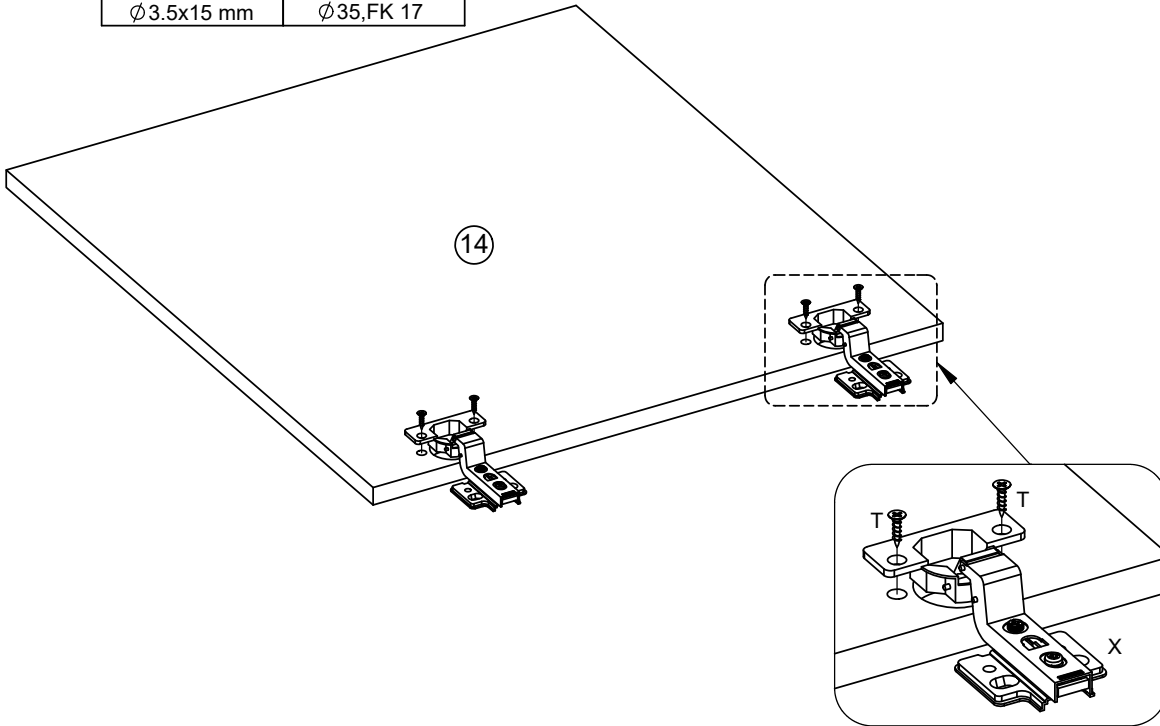
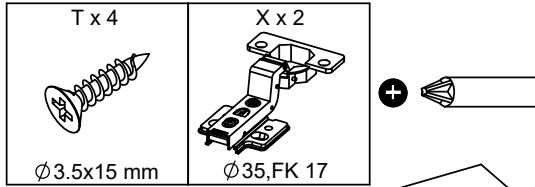
21



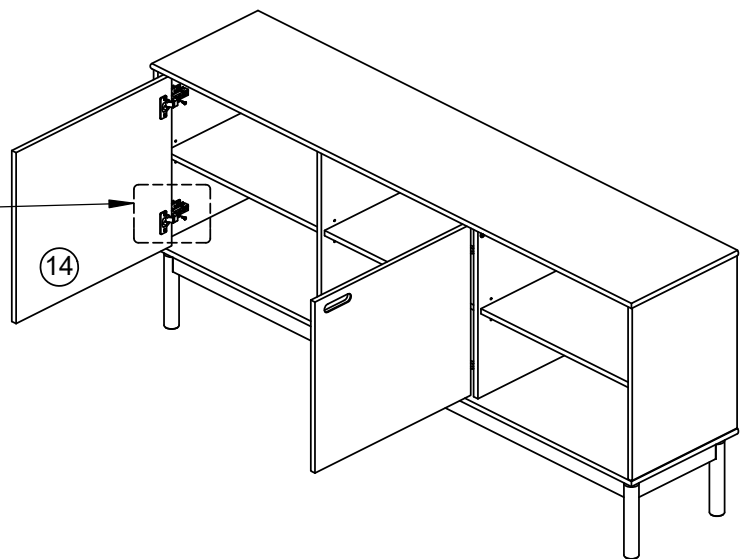
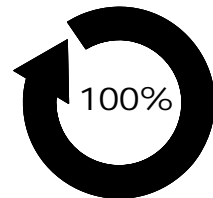
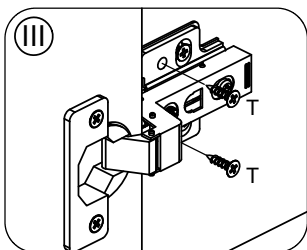
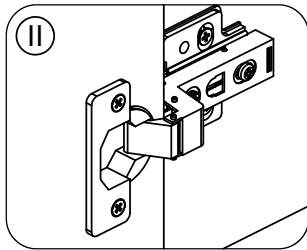
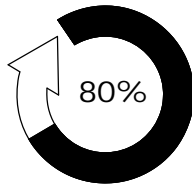
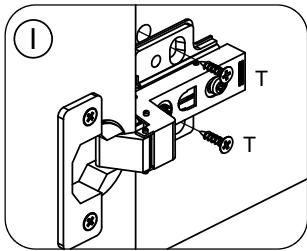
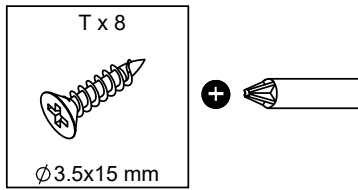
22



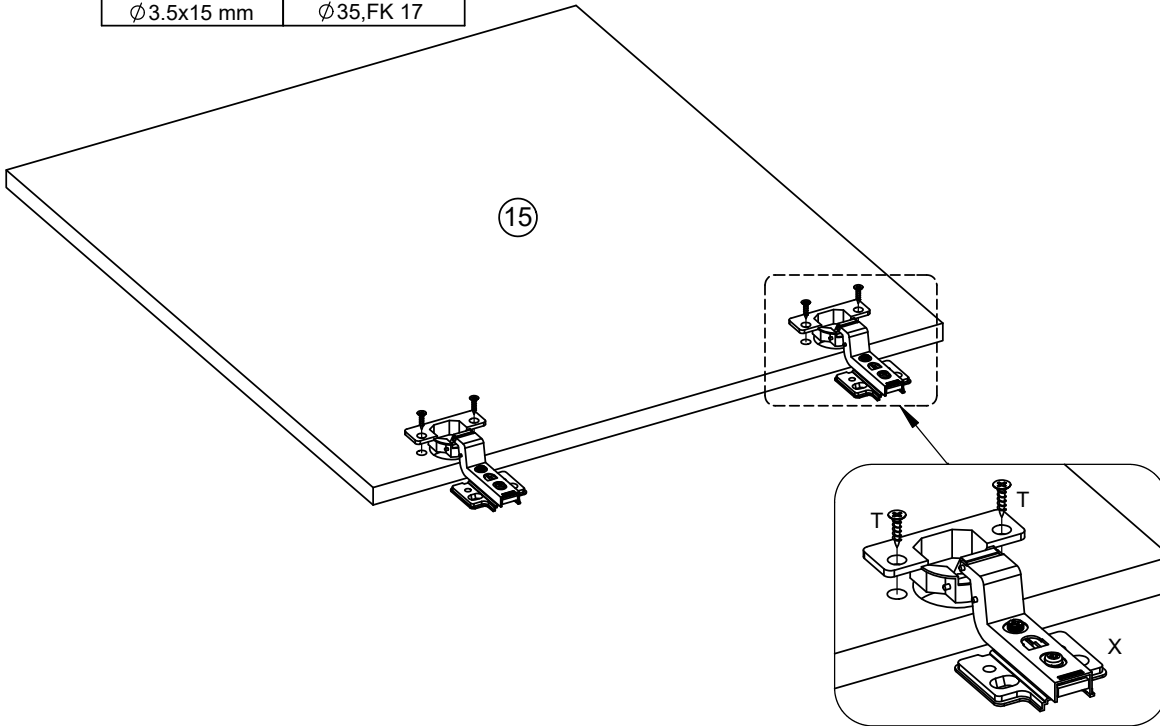
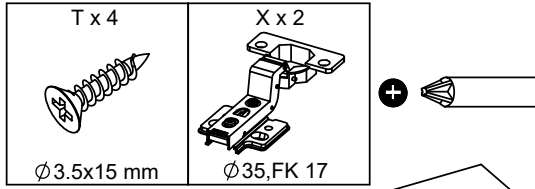
23



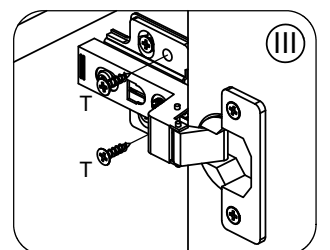
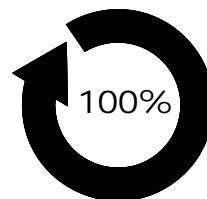
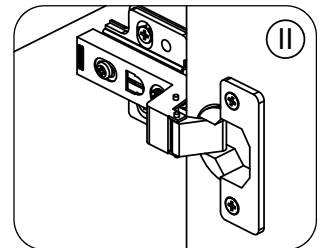
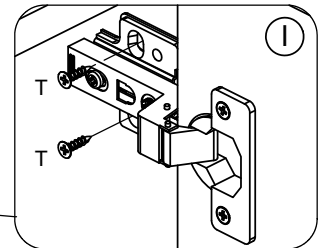
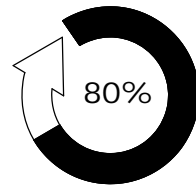
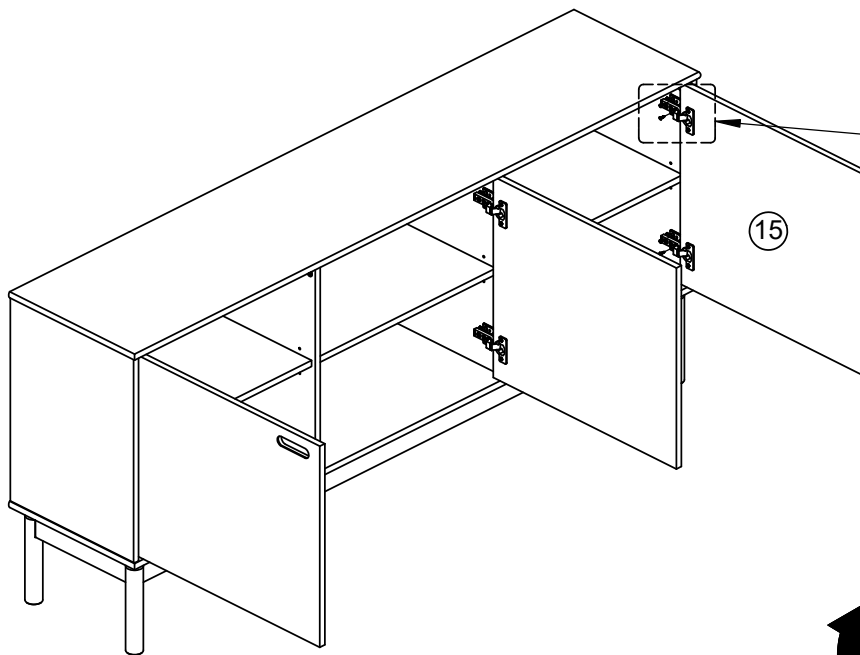
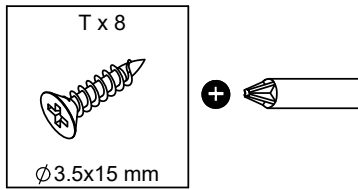
24



25



26



27

